

WWW.KIMPLEBOATS.CO
INFO@KIMPLEBOATS.CO

KIMPLE
ALUMINUM BOATS

WE

KIMPLE IS A REGISTERED BRAND IN NEW ZEALAND. THE COMPANY IS HEADQUARTERED IN TAIWAN AND HAS A PRODUCTION BASE IN JIAXING, ZHEJIANG, CHINA, SPECIALIZING IN THE DESIGN AND PRODUCTION OF ALUMINUM ALLOY BOATS. WITH A LARGE NUMBER OF ADVANCED MACHINERY AND EQUIPMENT AND EXQUISITE CRAFTSMANSHIP, THE EXCELLENT QUALITY OF THE KIMPLE ALUMINUM BOAT IS GUARANTEED.

THE SIZE OF THE KIMPLE BOAT RANGES FROM 3 METERS TO 12 METERS. CURRENTLY, THE NUMBER OF BOATS IS 3,000. THE PRODUCTS ARE EXPORTED TO MORE THAN 40 COUNTRIES AROUND THE WORLD. KIMPLE HAS A WORLD-CLASS DESIGN TEAM WITH DESIGN MEMBERS FROM AUSTRALIA, NEW ZEALAND, SWEDEN AND TAIWAN. BASED ON DIFFERENT REGIONS, CULTURES AND DIFFERENT USES, COMBINED WITH TRADITIONAL CRAFTSMANSHIP AND ADVANCED INNOVATIVE TECHNOLOGY, KIMPLE CREATES LEISURE, PRACTICALITY, DURABILITY AND PERFORMANCE FOR CUSTOMERS ALUMINUM BOAT.

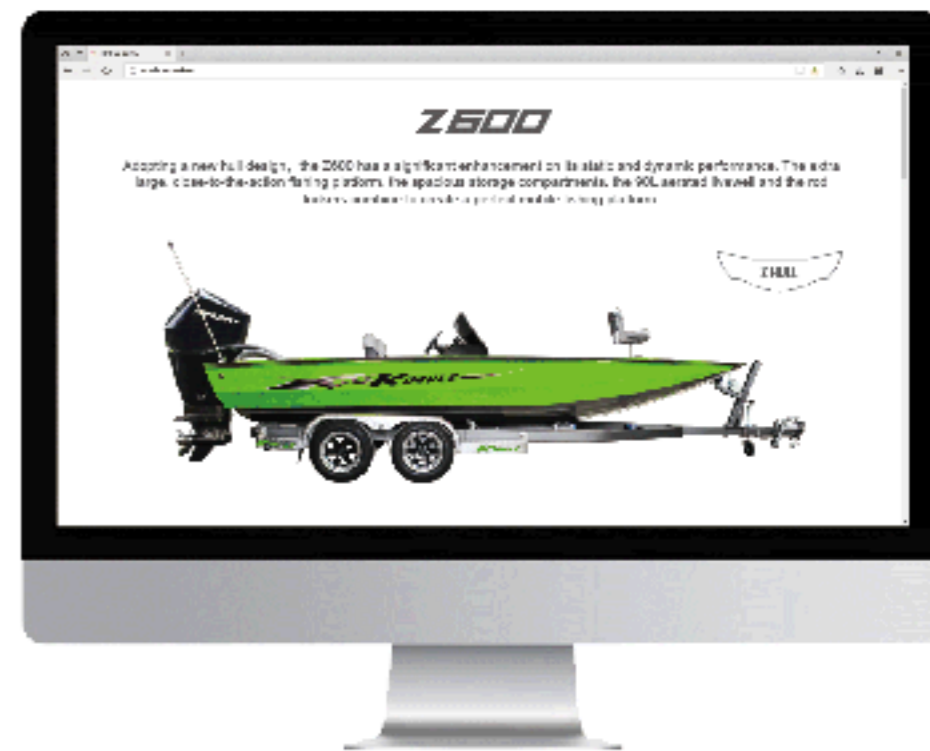
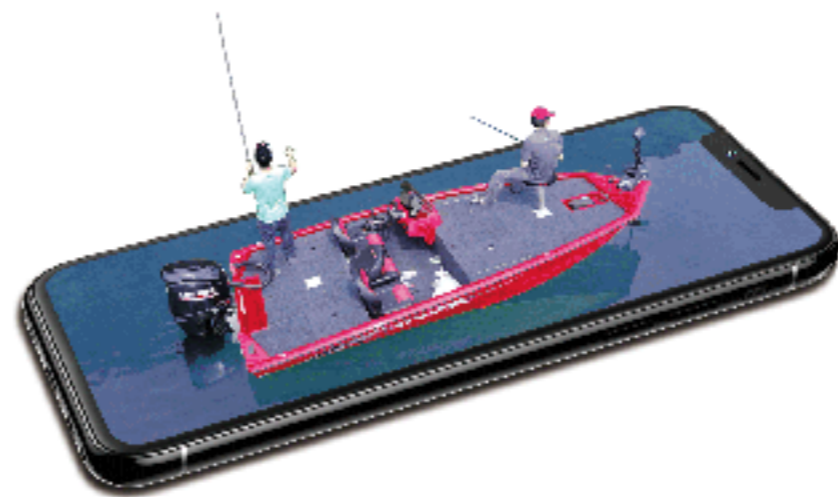
AS AN INTERNATIONAL ALUMINUM BOAT BRAND, KIMPLE ALUMINUM BOATS OPTIMIZES THE STATIC AND DYNAMIC PERFORMANCE OF THE SHIP'S SURFACE ON THE BASIS OF SAFETY, SO THAT PASSENGERS CAN ENJOY THE BEST RIDING EXPERIENCE ON THE WATER. THE KIMPLE ALUMINUM BOAT IS THE BEST CHOICE FOR YOUR WATER RIDE!



KIMPLE BOATS MAY BE NOT THE BEST, BUT ALWAYS BE BETTER.

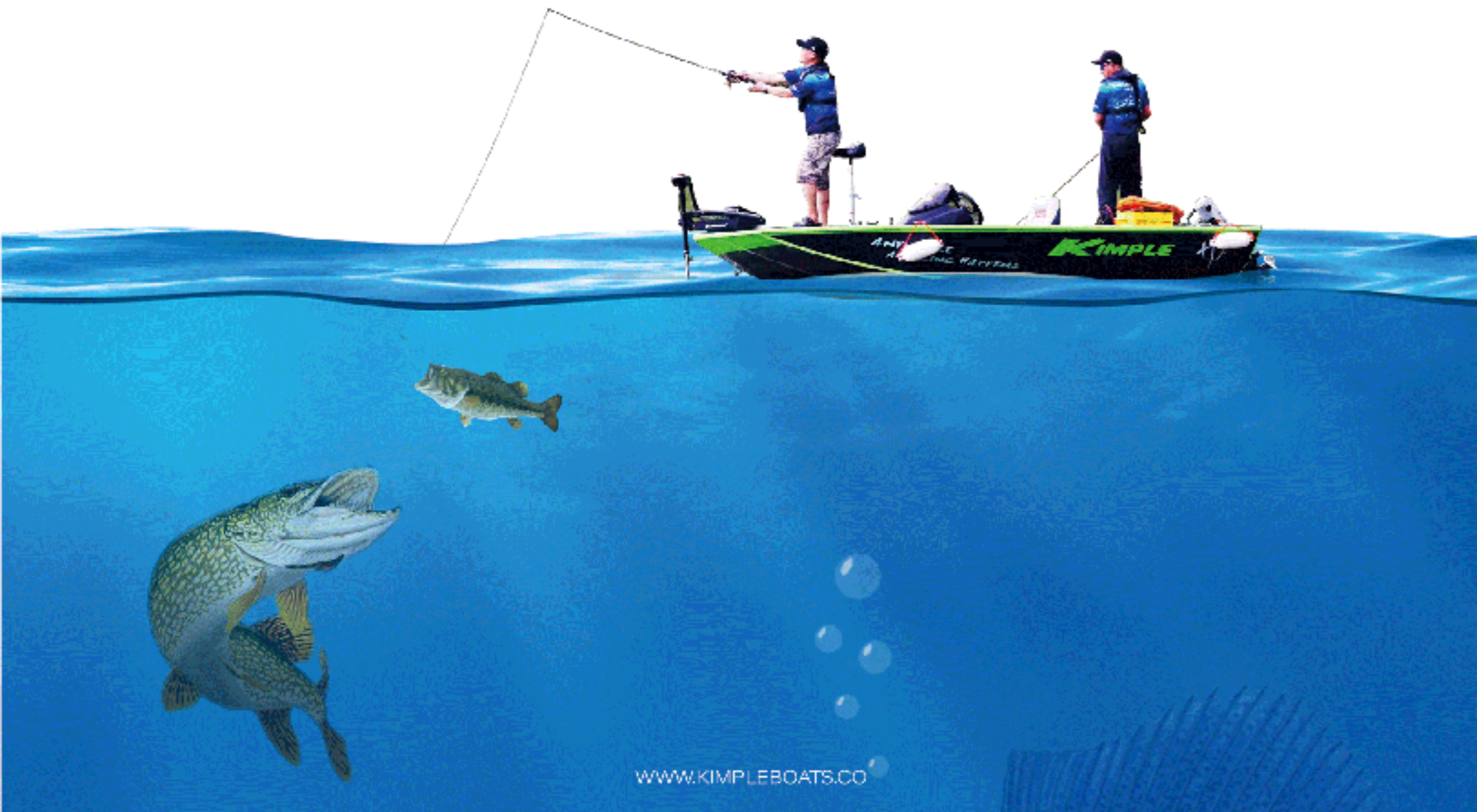
Laofan

WWW.KIMPLEBOATS.CO



PURE FISHING

ALL WELDED ALUMINUM BASS BOATS



WWW.KIMPLEBOATS.CO

SPECIFICATIONS



SPECIFICATIONS	K 438	S 468	S 498	S 518	S 548	Z 560	Z 600	Z 640
Length	4.35M	4.68M	4.98M	5.18M	5.48M	5.60M	6.00M	6.40M
Beam	1.80M	2.00M	2.10M	2.25M	2.26M	2.36M	2.36M	2.36M
Transom Height	51cm	51cm	51cm	51cm	58cm	58cm	58cm	58cm
Weight(Boat Only)	344kg	346kg	390kg	478kg	479kg	650kg	698kg	730kg
Bottom Plate	2.0mm	2.5mm	2.5mm	2.5mm	2.5mm	3.0mm	3.0mm	3.0mm
Side Plate	2.0mm	2.5mm	2.5mm	2.5mm	2.5mm	3.0mm	3.0mm	3.0mm
Transom Plate	2.0mm	4.0mm	4.00mm	4.0mm	4.0mm	4.0mm	4.0mm	4.0mm
Max hp	40hp	60 hp	75 hp	90 hp	115 hp	140 hp	150 hp	200 hp
Build-in Fuel Tank	-	-	-	75 L	75 L	90 L	115 L	140 L
Max Person	3	2	3	4	4	4	4	4

WWW.KIMPLEBOATS.CO



K 438

If you are interested in a small but versatile fishing boat, the Kimple K438 is the one that deserves your attention. In its 4.35 meter long 1.8-meter wide hull, the K438 equips a 90L livewell, rod storage for fishing rods up to 7', and two under-floor storage compartments.

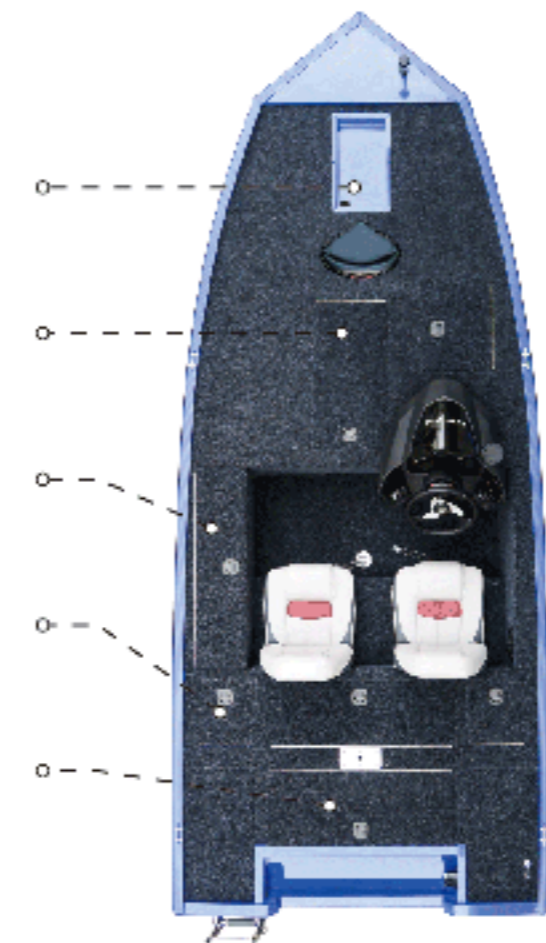
Recessed motor tray

Under floor storages

Rod locker

Battery compartment

Fuel compartment



Fishing Seat

Under floor storages

Console

Foldable seat

Livewell



4.35 m

1.80 m

MAX 365

MAX 40 HP

3





S 468

The Kimple S468 is a versatile aluminum fishing boat. It is built for endurance and all the fishing essentials included. The quality of construction features, including all-welded construction and a stringer system, can also be found within it's bigger brothers.

WWW.KIMPLEBOATS.CO



4.68 m 2.00 m MAX 370 MAX 60 HP 2



WWW.KIMPLEBOATS.CO



S 498

The Kimple S498 includes a variety of angler-friendly features, including rod lockers, storages, livewell, etc. It's a great first fishing boat for serious fisher chasing bass or whatever you like.

WWW.KIMPLEBOATS.CO

Recessed motor tray

Under floor storages

Foldable seat

Livewell



Fishing Seat

Rod locker

Console

Seat storages



4.98 m

2.10 m

MAX 388

MAX 75 HP

3



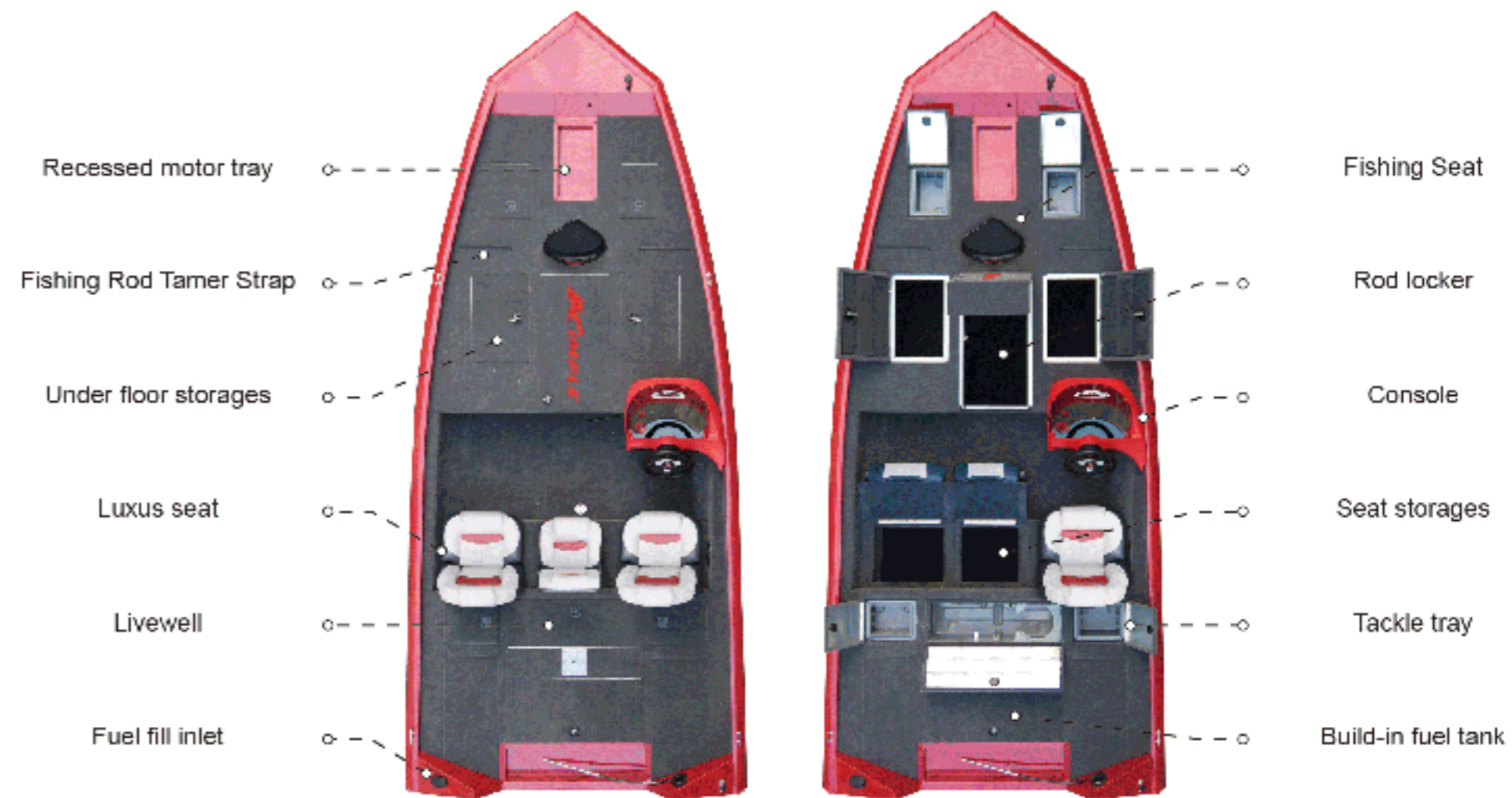
WWW.KIMPLEBOATS.CO



S 518

The Kimple S518 is for serious fishers who prefer a smaller but stable fishing boat. With a width of 2.25 meters, the S518 is a stable fishing platform and has all the essential features: a livewell, rod lockers, spacious under-floor storage and comfortable seats.

WWW.KIMPLEBOATS.CO



5.18 m

2.25 m

MAX 520

75 L

MAX 90 HP

4



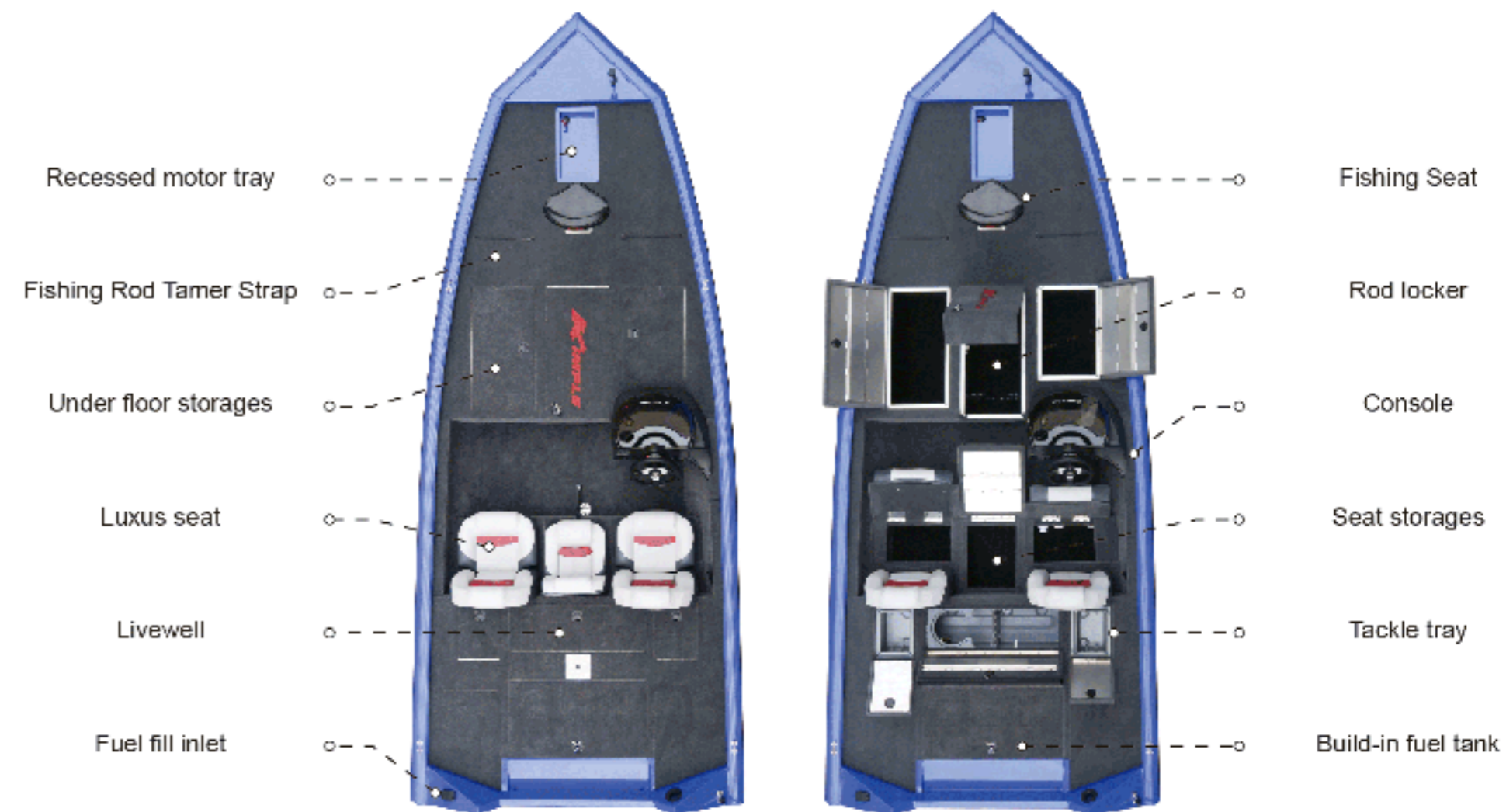
WWW.KIMPLEBOATS.CO



S 548

The new beamier design of the Kimple S548 provides enhanced static and dynamic performance. The mobility of the Kimple S548 allows this fishing boat to be the perfect fishing platform with its features of a large, close-to-the-action fishing platform, 90L aerated livewell, rod lockers and a spacious storage compartment.

WWW.KIMPLEBOATS.CO



5.48 m 2.26 m MAX 540 75 L MAX 115 HP 4



WWW.KIMPLEBOATS.CO



WWW.KIMPLEBOATS.CO



Z640

Z600

Z560

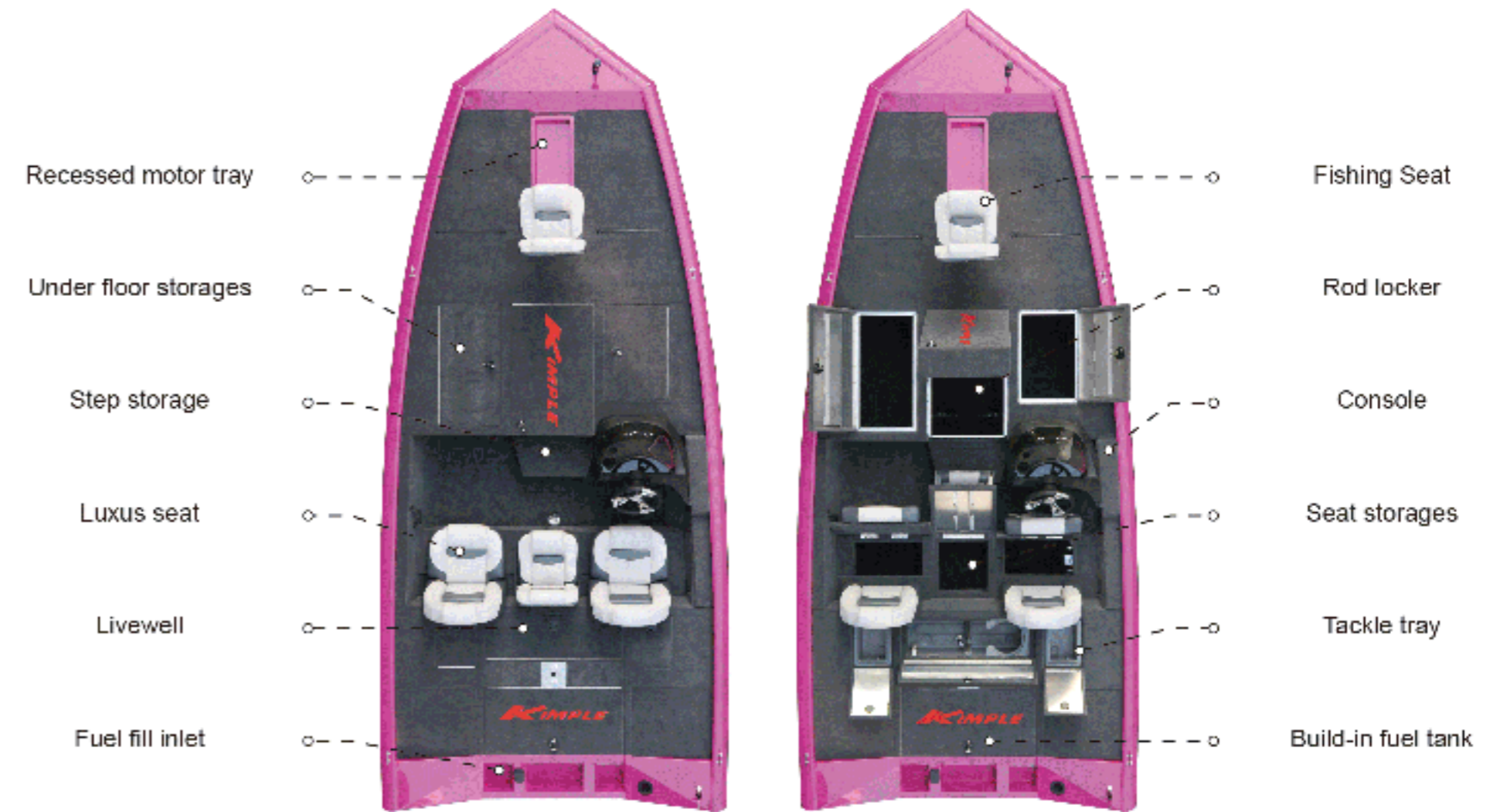
WWW.KIMPLEBOATS.CO



BASS FISHING AT THE NEXT LEVEL

The Kimple Z560 provides enhanced performance and strength. Adopting the newly developed Z hulls, and stiffener system, the Z560 is an ultimate fishing machine for serious fishers.

WWW.KIMPLEBOATS.CO



5.60 m 2.36 m MAX 600 KG 90 L MAX 140 HP 4



WWW.KIMPLEBOATS.CO



A PERFECT FIT ON THE WATER

Adopting a new hull design, the Z600 has a significant enhancement on its static and dynamic performance. The extra large, close-to-the-action fishing platform, the spacious storage compartments, the 90L aerated livewell and the rod lockers combine to create a perfect mobile fishing platform.



Recessed motor tray

Under floor storages

Step storage

Luxus seat

Livewell

Fuel fill inlet

Fishing Seat

Rod locker

Console

Seat storages

Tackle tray

Build-in fuel tank

6.00 m

2.36 m

MAX 700

115 L

MAX 150 HP

4





THE ULTIMATE TOURNAMENT BASS BOATS

The Z640 adopts the latest Z hull design that provides a perfect dynamic and static stability and performance. Ample storage spaces accommodate more fishing rods and other items to meet the needs of anglers.

Recessed motor tray

Under floor storages

Step storage

Luxus seat

Livewell

Fuel fill inlet



Fishing Seat

Rod locker

Console

Seat storages

Tackle tray

Build-in fuel tank



6.40 m

2.36 m

MAX 800

140 L

MAX 200 HP

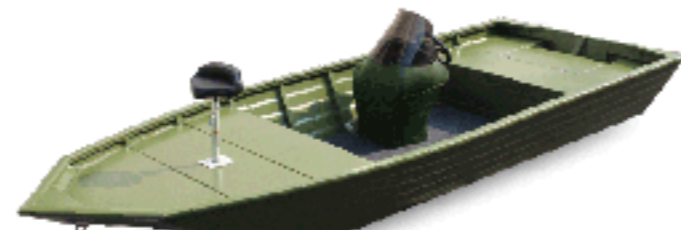
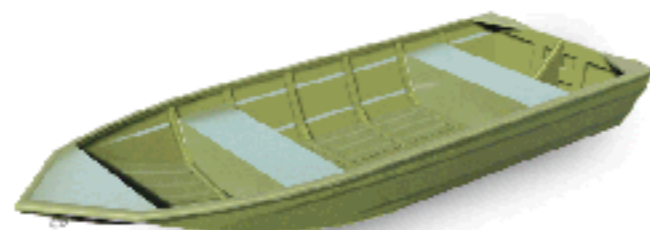
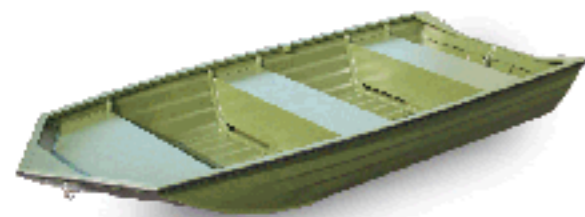
4



J 4217

J 4618

J 4920



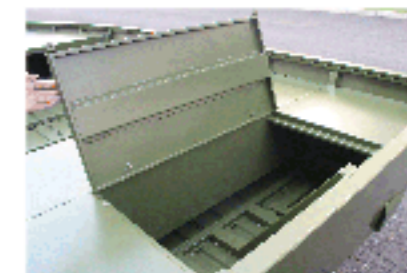
4.20 m 1.70 m MAX 352 20 HP 3



4.60 m 1.80 m MAX 468 40 HP 4

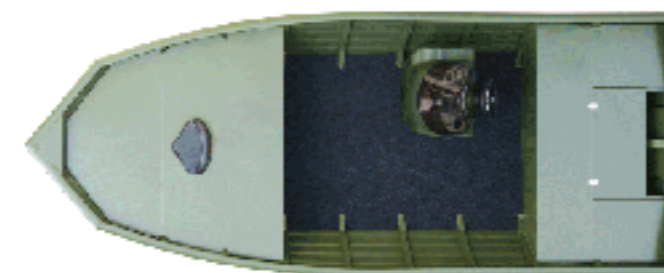


4.95 m 2.00 m MAX 585 60 HP 4

JON BOATS

The Kimple Jon Boat is a sturdy, agile and affordable all-purpose boat. The roomy interior leaves plenty of room for fishing tackle or duck decoys.





EXPLORER

The Explorer series is a perfect family boat, combining fishing and leisure functions. The full aluminum floors make it refined and neat, and easy to maintain.



SPECIFICATIONS	E460C	E460D	E470CC
Length	4.60M	4.60M	4.60M
Beam	1.86M	1.86M	2.00M
Transom Height	51cm	51cm	51cm
Weight(Boat Only)	297kg	300kg	356kg
Bottom Plate	3.0mm	3.0mm	3.0mm
Side Plate	2.0mm	2.0mm	3.0mm
Max hp	50hp	50hp	75hp
Max Person	5	5	5



E 460C



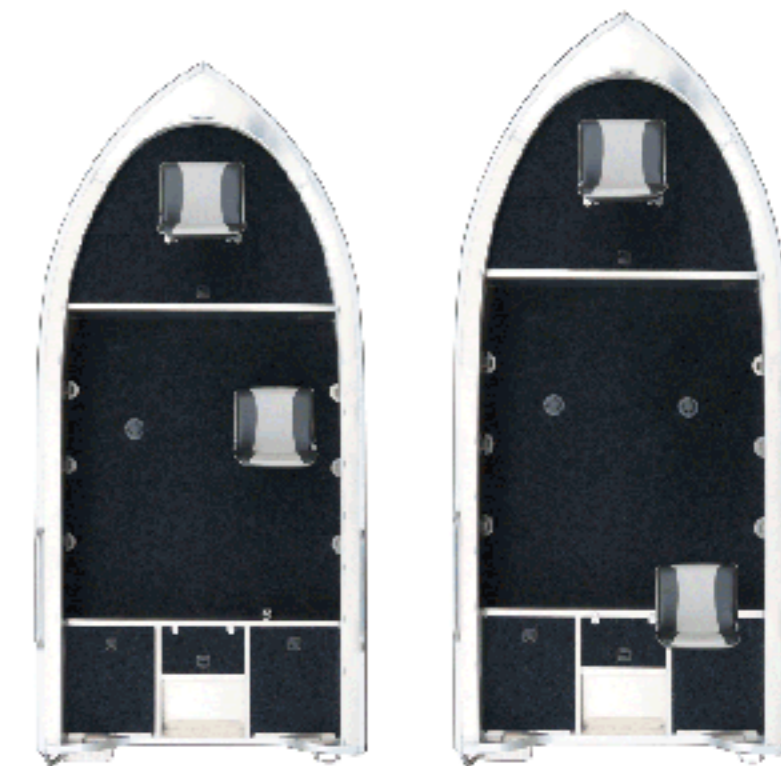
E 460D



E 470CC



SPECIFICATIONS	H400S	H420S
Length	4.00M	4.20M
Beam	1.87M	1.87M
Transom Height	51cm	51cm
Weight (Boat Only)	190kg	208kg
Bottom Plate	2.0mm	2.0mm
Side Plate	1.6mm	1.6mm
Max hp	40 hp	40 hp
Max Person	4	4



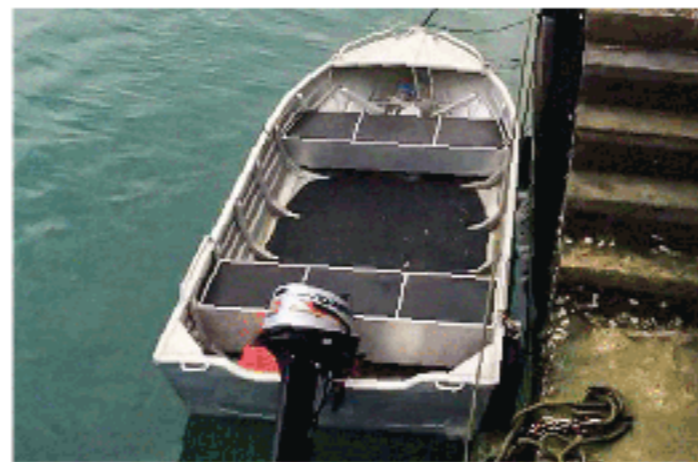
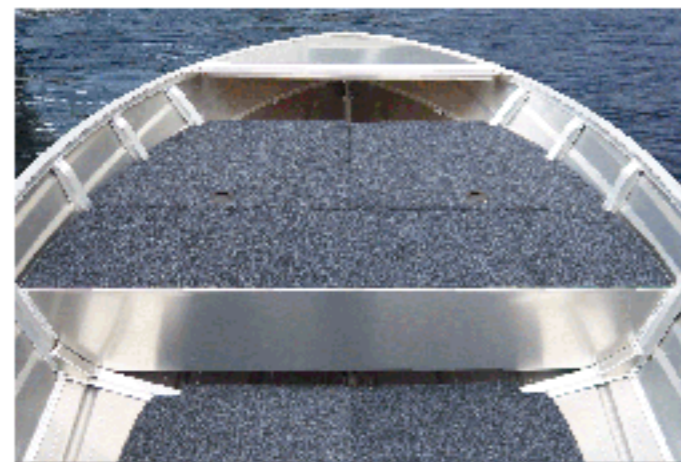
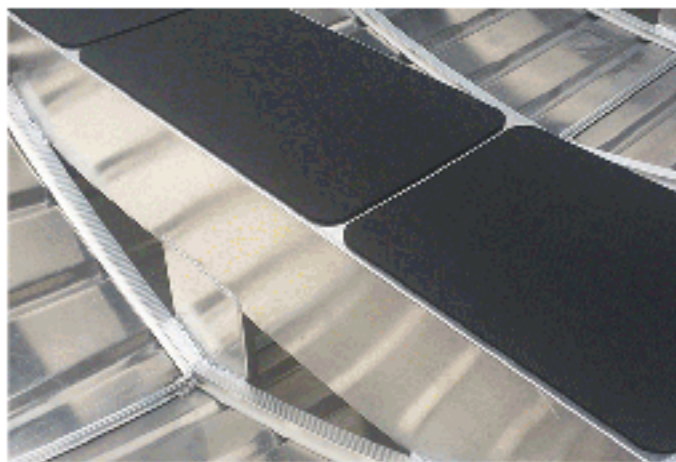
H 400S

H 420S

HUNTER S

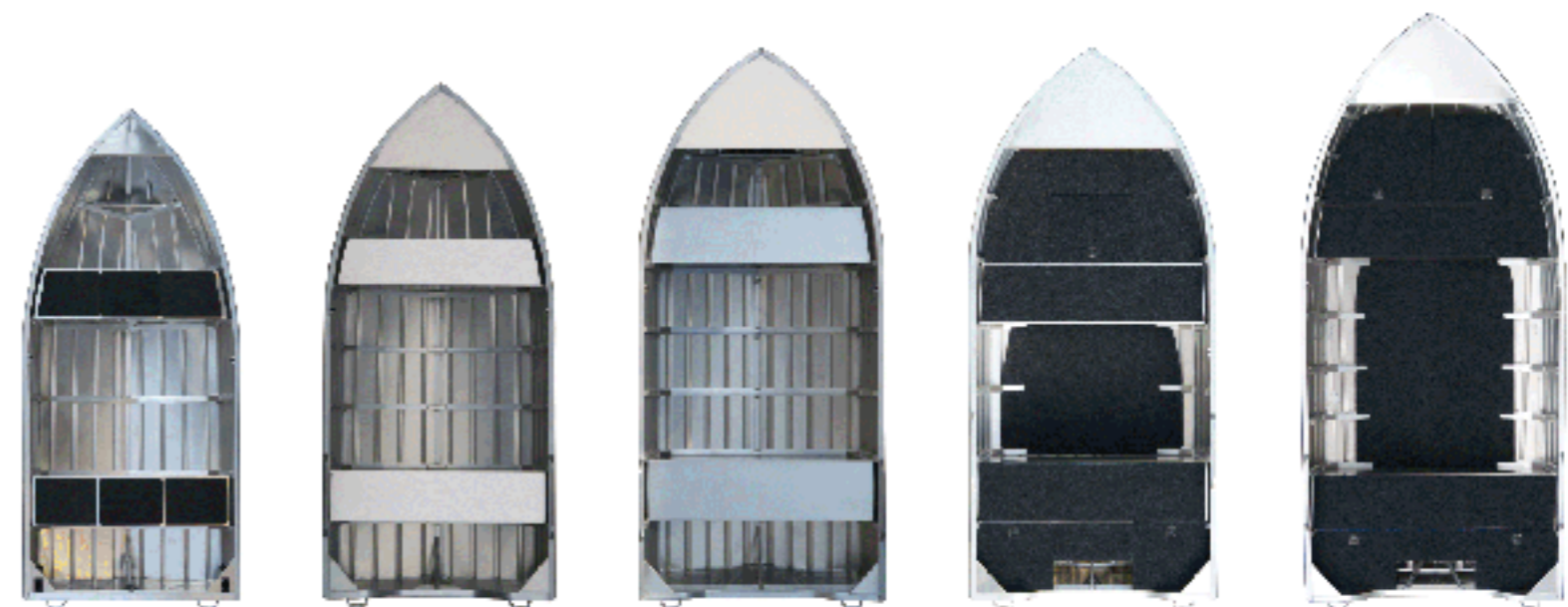
The Hunter S series aluminum boats are designed for chasing fish in mangroves and estuaries. The beaming hull and moderate deadrise allow the Hunter series to access shallows while maintaining stability.





HUNTER

The Hunter series aluminum boat is designed for estuary fishing. The wide and low deadrise hull design allows access to shallow waters freely. Its size and mass provide efficient transportation on your vehicle's roof.

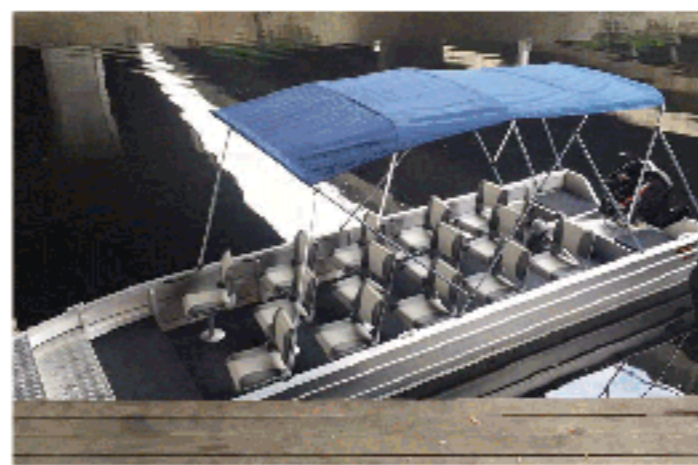


SPECIFICATIONS	H350W	H370	H395	H395M	H450M
Length	3.50M	3.70M	3.95M	3.95M	4.20M
Beam	1.64M	1.64M	1.75M	1.75M	1.87M
Transom Height	51cm	38cm	51cm	51cm	51cm
Weight (Boat Only)	68kg	86kg	134kg	158kg	218kg
Bottom Plate	1.6mm	1.6mm	1.6mm	1.6mm	3.0mm
Side Plate	1.6mm	1.6mm	1.6mm	1.6mm	2.0mm
Max hp	15 hp	15 hp	40hp	40 hp	50 hp
Max Person	4	4	4	4	5



RIVER RUNNER

The River Runner is an affordable yet flat bottom aluminum boat which maintains a low draft and stable characteristics making it the perfect practical boat for river and swamping areas. The spacious floor area and optional seats allow this beast to hold the potential of endless possibilities.



SPECIFICATIONS	R500	R530	R590	R700
Length	5.00M	5.30M	5.90M	7.00M
Beam	2.16M	2.16M	2.16M	2.16M
Max Depth	70cm	70cm	70cm	70cm
Transom Height	51cm	51cm	51cm	51cm
Weight (Boat Only)	204kg	370kg	402kg	562kg
Bottom Plate	2.0mm	3.0mm	3.0mm	3.0mm
Side Plate	2.0mm	2.0mm	2.0mm	3.0mm
Transom Plate	3.0mm	3.0mm	3.0mm	3.0mm
Max hp	40-60hp	60-90hp	60-90hp	60-90hp
Max Person	8	7	9	15

SEA RANGER



Sea Ranger adopts the newly developed blade hull and higher side plates to provide a soft and dry riding experience in rough waters. The three pairs of longitudinal strakes on bottom plates make the boat goes planing efficiently and provides dry and stable rides.

SPECIFICATIONS	G435	G500	G550	G600
Length	4.35M	5.00M	5.50M	6.00M
Beam	2.00M	2.10M	2.20M	2.25M
Max Depth	96cm	105cm	115cm	120cm
Transom Height	51cm	64cm	64cm	64cm
Weight(Boat Only)	162kg	260kg	336kg	442kg
Bottom Plate	3.0mm	3.0mm	4.0mm	5.0mm
Side Plate	3.0mm	3.0mm	3.0mm	3.0mm
Transom Plate	3.0mm	4.0mm	4.0mm	5.0mm
Max hp	50hp	75hp	90hp	115hp
Max Person	4	5	6	6



G435

G500

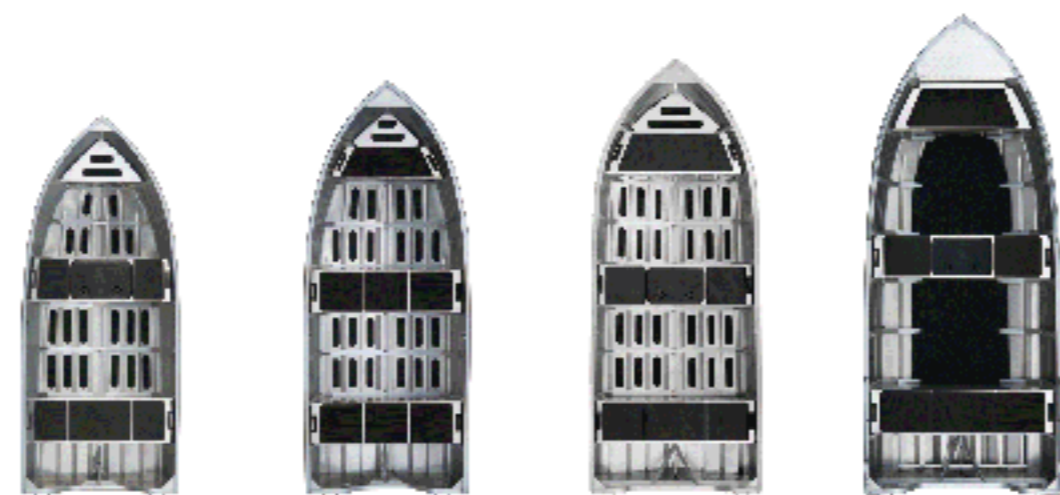
G550

G600

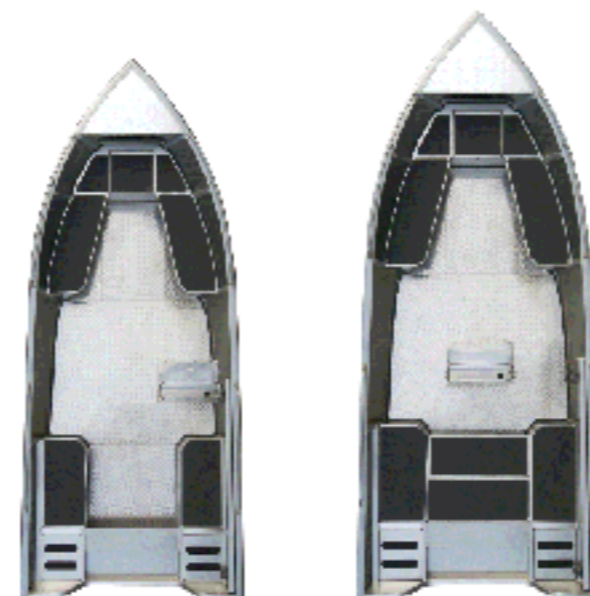


ADVENTURE

Adventure 500 and 550 are adopting newly developed blade hulls that come with a sharp forefoot and three pairs of planing strakes. That gives you a dry and soft boarding experience.

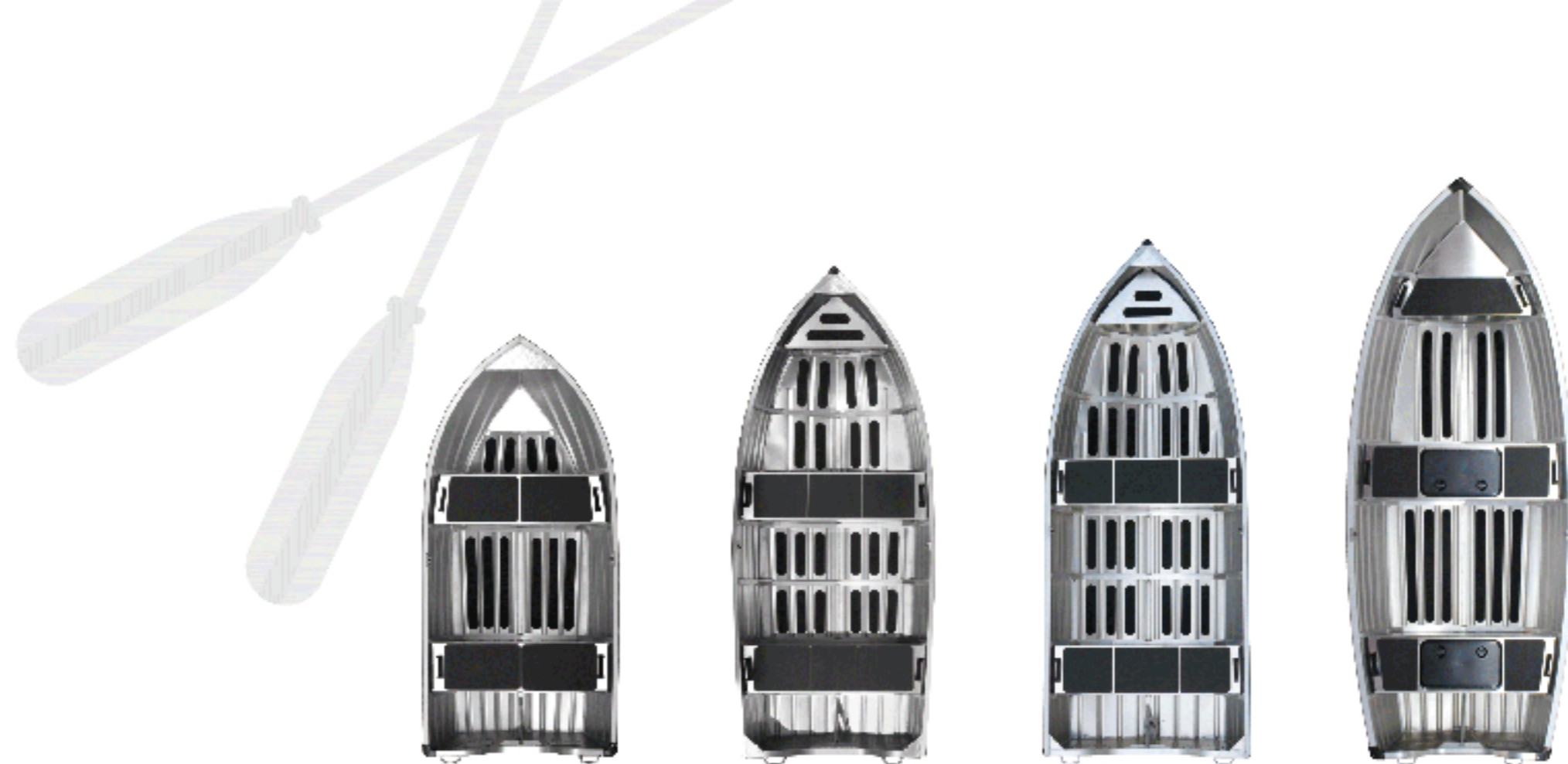


BLADE



SPECIFICATIONS	A360	A390	A440	A460	A500	A550
Length	3.80M	3.90M	4.40M	4.60M	5.00M	5.50M
Beam	1.48M	1.56M	1.65M	1.85M	2.10M	2.20M
Depth of Hull	83cm	58cm	72cm	82cm	105cm	115cm
Transom Height	38cm	38cm	51cm	51cm	64cm	64cm
Weight (Boat Only)	90kg	98kg	133kg	208kg	390kg	432kg
Bottom Plate	1.6mm	1.7mm	1.7mm	3.0mm	3.0mm	3.0mm
Side Plate	1.6mm	1.7mm	1.7mm	2.0mm	3.0mm	3.0mm
Transom Plate	2.0mm	2.0mm	2.0mm	3.0mm	3.0mm	4.0mm
Max hp	15hp	15hp	20 hp	40 hp	60 hp	90 hp
Max Person	4	4	4	5	5	6

CATCH



SPECIFICATIONS	C300	C365	C390	C430
Length	3.10M	3.60M	3.80M	4.25M
Beam	1.42M	1.47M	1.50M	1.64M
Transom Height	38cm	38cm	38cm	38cm
Weight (Boat Only)	58kg	70kg	86kg	108kg
Bottom Plate	1.4mm	1.6mm	1.6mm	1.7mm
Side Plate	1.4mm	1.6mm	1.6mm	1.7mm
Max hp	8hp	15hp	15hp	10-20hp
Max Person	2	4	4	4

ANGLER



WWW.KIMPLEBOATS.CO



FLAT BOTTOM

The Angler punt is lightweight and suitable for car-top transportation. The simple boat is constructed of two pieces of marine-grade aluminum plates which maintain its lightweight and robust.



SPECIFICATIONS	N330	N330W	N370	N370W	N400	N450	N520
Length	3.30M	3.30M	3.70M	3.70M	4.00M	4.50M	5.20M
Beam	1.16M	1.39M	1.16M	1.39M	1.37M	1.50M	2.00M
Max Depth	40cm	44cm	40cm	44cm	44cm	48cm	80cm
Transom Height	38cm	38cm	38cm	38cm	38cm	38cm	51cm
Weight(Boat Only)	46kg	60kg	56kg	64kg	80kg	110kg	198kg
Bottom Plate	1.4mm	1.4mm	1.4mm	1.4mm	1.6mm	2.0mm	2.0mm
Side Plate	1.4mm	1.4mm	1.4mm	1.4mm	1.6mm	1.6mm	2.0mm
Transom Plate	2.0mm	2.0mm	2.0mm	2.0mm	2.0mm	2.0mm	3.0mm
Max hp	6hp	6 hp	8hp	8 hp	15hp	20hp	30 hp
Max People	2	3	3	3	4	4	6

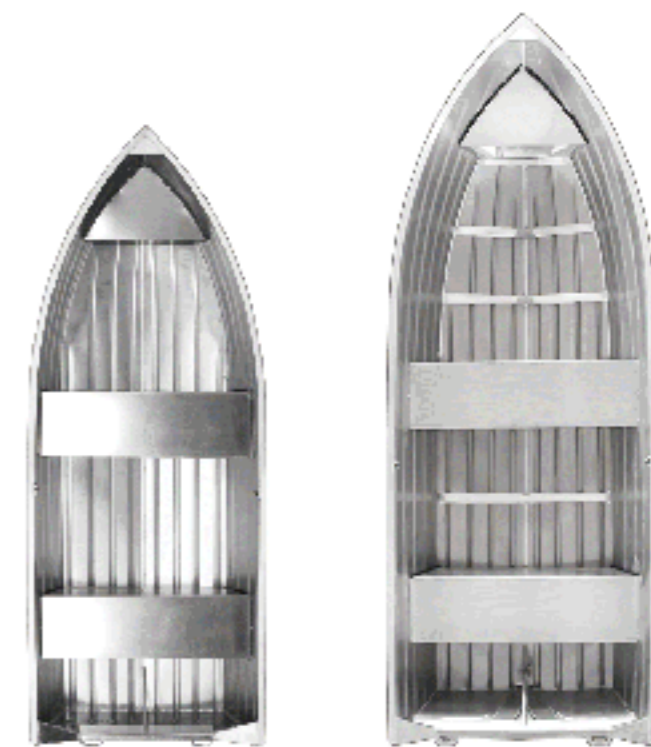
WWW.KIMPLEBOATS.CO

TROUT



The Trout has a V-shaped bottom at its bow and a flat bottom at its aft. That allows it to handle choppy waters effortlessly while providing excellent stability.

WWW.KIMPLEBOATS.CO



SPECIFICATIONS	T370	T440
Length	3.70M	4.40M
Beam	1.50M	1.65M
Transom Height	38cm	51cm
Weight(Boat Only)	59kg	102kg
Bottom Plate	1.4mm	2.0mm
Side Plate	1.4mm	2.0mm
Transom Plate	2.0mm	2.0mm
Max hp	10hp	20hp
Max. Person	3	4

WWW.KIMPLEBOATS.CO

KIMPLE COLOR OPTIONS

COLOR YOUR BOATS



GREEN



BLUE



ORANGE



RED



OLIVE GREEN



BLACK



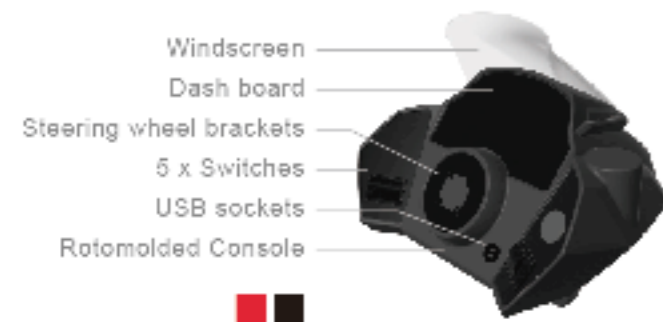
SILVERY



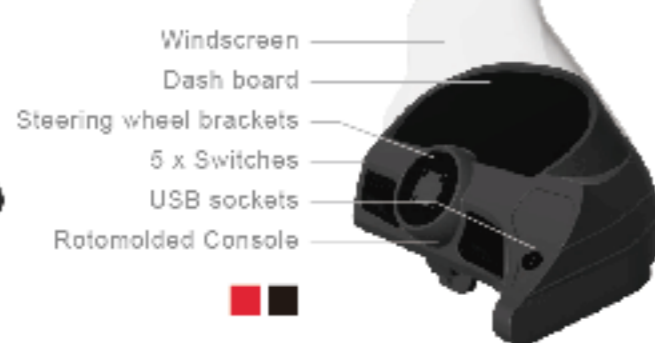
WHITE

ROTOMOLDED CONSOLE

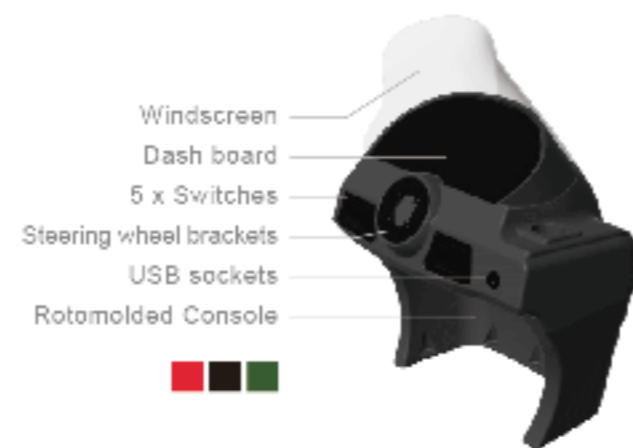
SJ Console



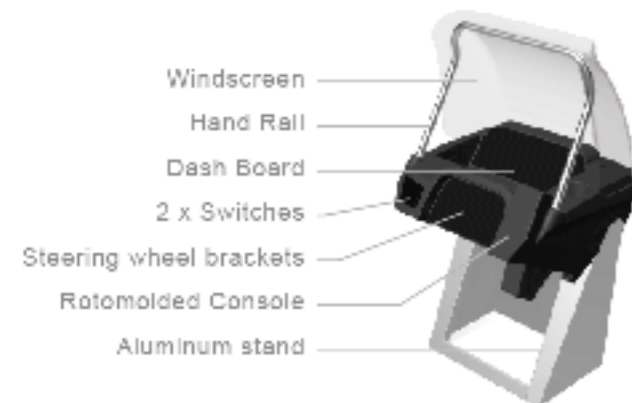
YH Console



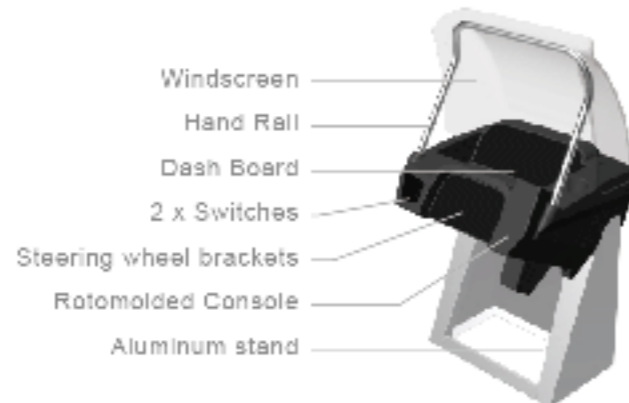
YHLS Console



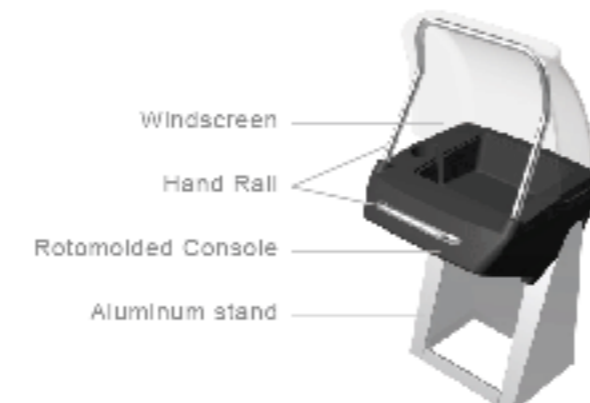
BST Side Console for Skipper



BST Center Console



BST Side Console for Passanger



ALUMINUM CONSOLE

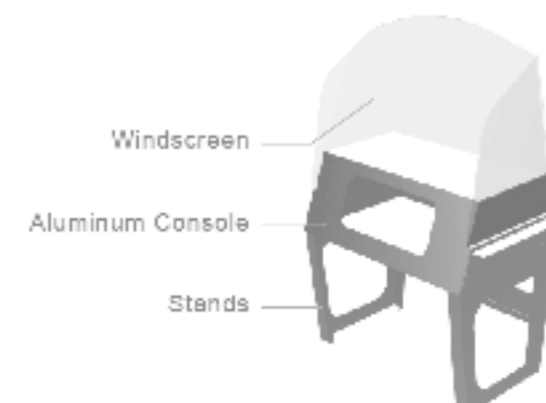
BST Aluminum Console I



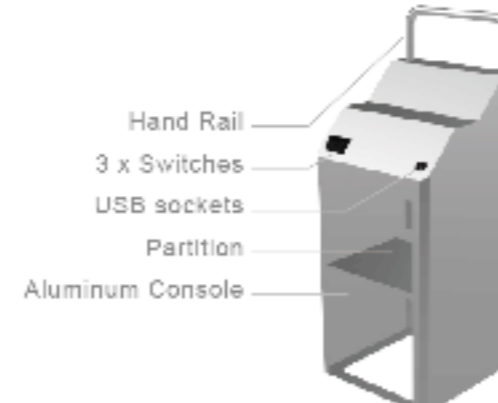
BST Aluminum Console II



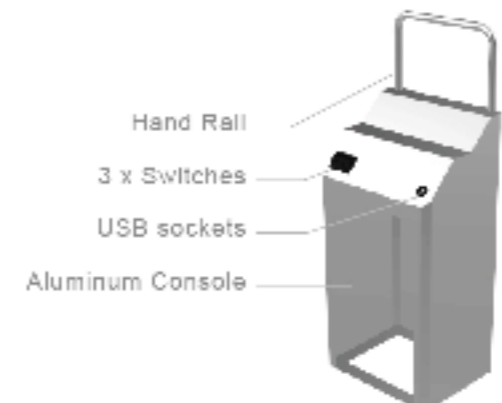
F4 Console



T7 Console

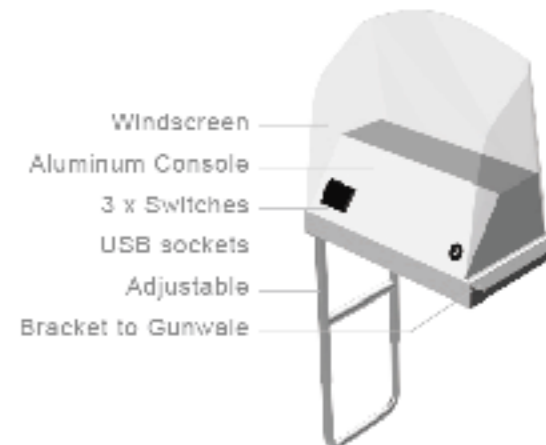


T4 Console





C4 Console

Height Adjustable





SEAT



Bass Pro seat  



Fish Pro foldable seat (S)  



Fish Pro foldable seat (L)



Casual foldable seat



Fishing seat

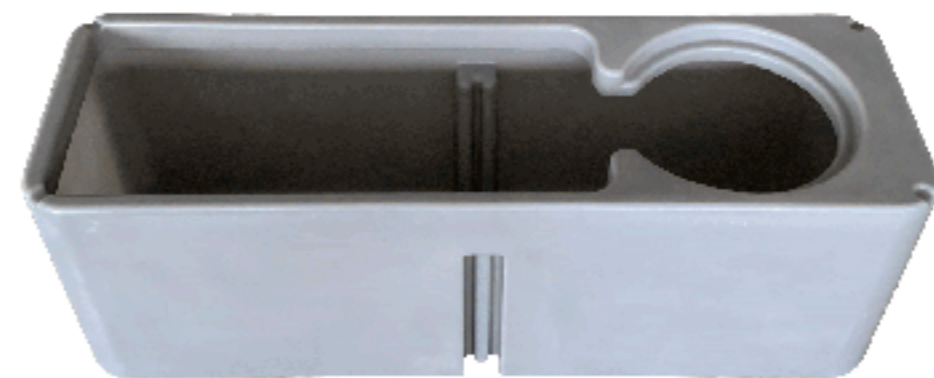
ACCESSORIES



Shark fin Hand Rail



Rowlocks & Socket



Rotomolded Livewell 90L



Rotomolded storage seat



COOLER BOX



65L

L : 80cm
W : 45cm
H : 43cm



110L

L : 90cm
W : 50cm
H : 52cm



145L

L : 105cm
W : 52cm
H : 54cm

20L and 45L also available

KIMPLE BOAT COVER



K 435 S 468 S 498 S 518 S 548 Z 560 Z 600 Z 640